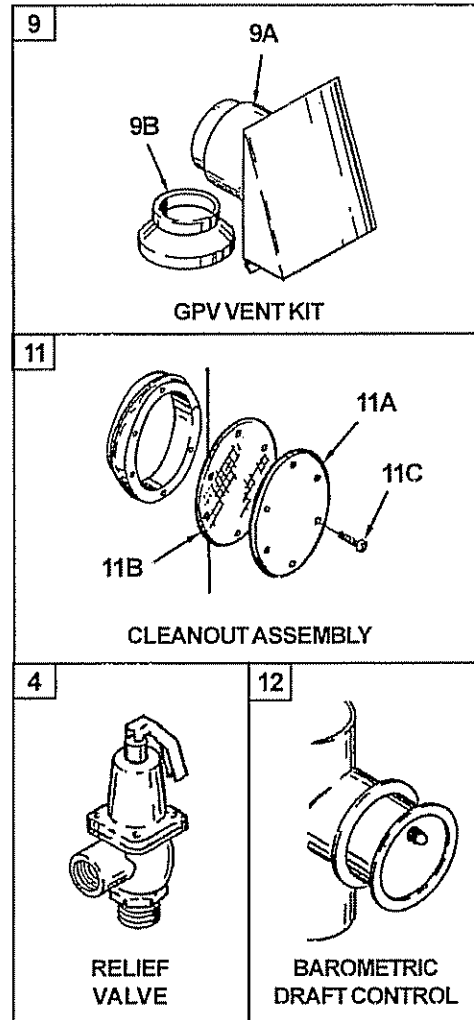
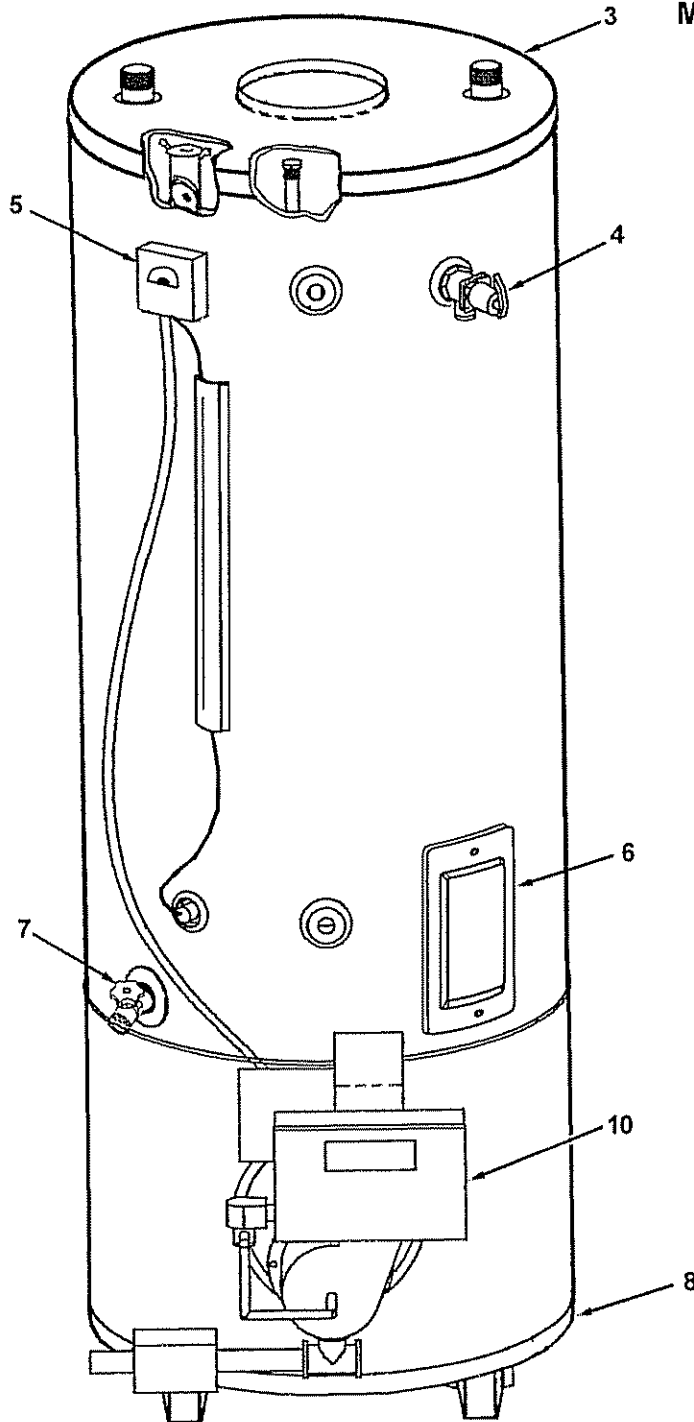


**REPLACEMENT PARTS LIST**

MODELS GPG/GPV-540A THRU 740A  
SERIES 104



(Part numbers are listed on page 35)

**STATE WATER HEATERS**

500 Lindahl Parkway, Ashland City, TN 37015  
Phone: 1-800-821-2017 • Fax: 1-800-6449306  
website: [www.statewaterheaters.com](http://www.statewaterheaters.com)

## PART LIST FOR PAGE 34

Item	Description	GPG-540A	GPG-650A	GPG-740A
1	Anode, Plug	183523-48(4)	183523-48(4)	83523-48(4)
2	Baffle, Flue	194974(16)	194974(16)	194974(16)
3	Cover, Jacket	195046	195046	195046
4	Valve, Relief	99465-3	99465-3	99465-3
5	Thermostat WE C O	192828	192828	192828
6	Cover, Front	181260	181260	181260
7	Valve, Drain	26273-6	26273-6	26273-6
8	Jacket Base	195045	195045	195045
10	Burner Assembly	195036-2	195036-1	195036
11	Cleanout Assembly (includes the following items)			
11A	Cleanout Cover	99037	99037	99037
11B	Gasket	99038	99038	99038
11C	Screw - Thread Rolling	69852-1	69852-1	69852-1
12	Barometric Draft Control	170777-5	170777-5	170777-5

Item	Description	GPV-540A	GPV-650A	GPV-740A
1	Anode, Plug	183523-48(4)	183523-48(4)	83523-48(4)
2	Baffle, Flue	194974(16)	194974(16)	194974(16)
3	Cover, Jacket	195046	195046	195046
4	Valve, Relief	99465-3	99465-3	99465-3
5	Thermostat WE C O	192828	192828	192828
6	Cover, Front	181260	181260	181260
7	Valve, Drain	26273-6	26273-6	26273-6
8	Jacket Base	195045	195045	195045
9	GPV Vent Kit (includes the following items. 2 pieces of hood required for direct vent)	192049-1	192049	192049
9A	Hood, Vent - Side Wall		191235	191235
9B	Reducer - Flue	191981	191981	191981
10	Burner Assembly	196795-2	196795-1	196795
11	Cleanout Assembly (includes the following items)			
11A	Cleanout Cover	99037	99037	99037
11B	Gasket	99038	99038	99038
11C	Screw - Thread Rolling	69852-1	69852-1	69852-1

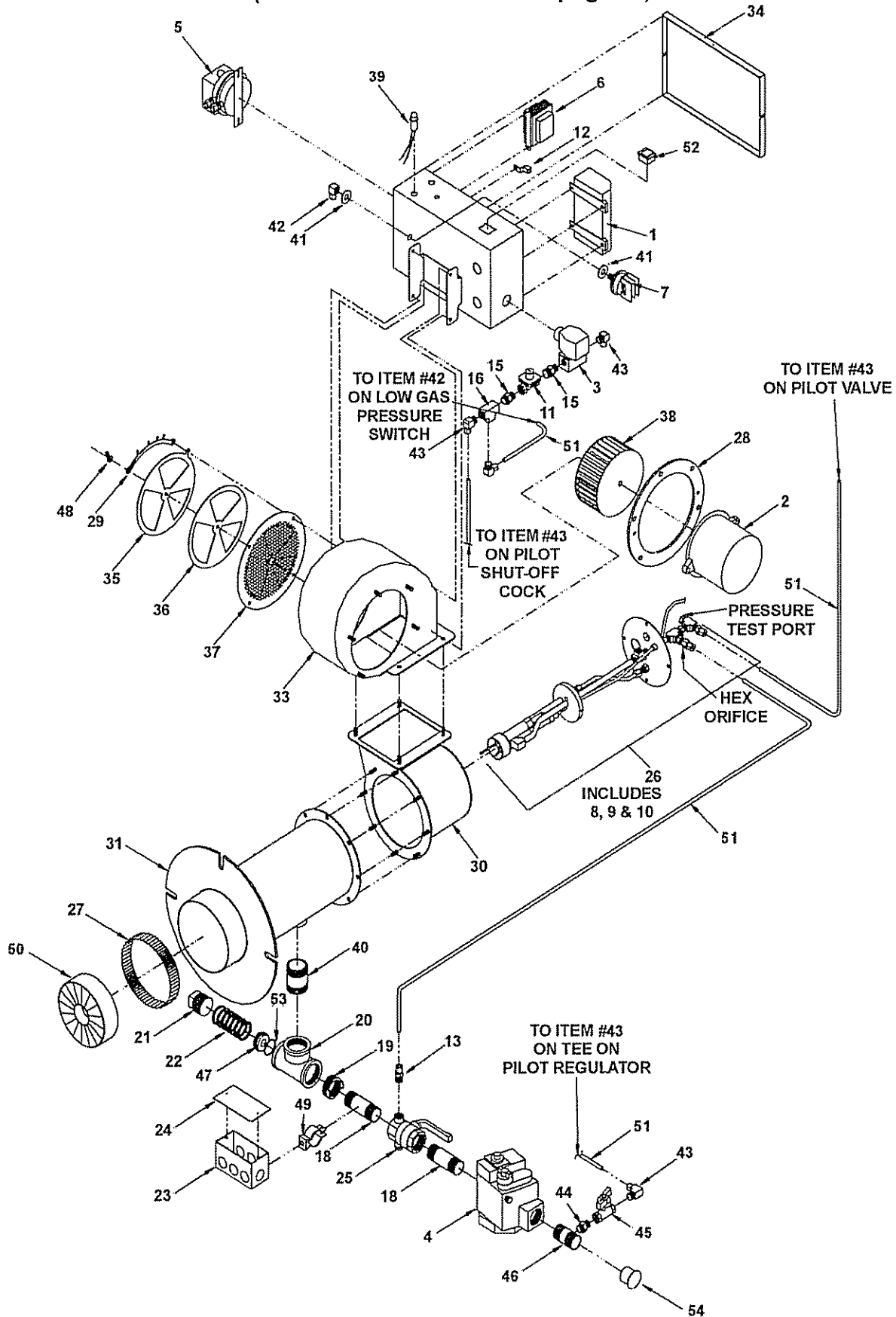
\*Items not illustrated

# Quantities, if more than one, shown in parenthesis next to part number

Part numbers underlined are recommended stock items for emergency replacement.

# GPG BURNER ASSEMBLY

(Part numbers are listed on page 37)

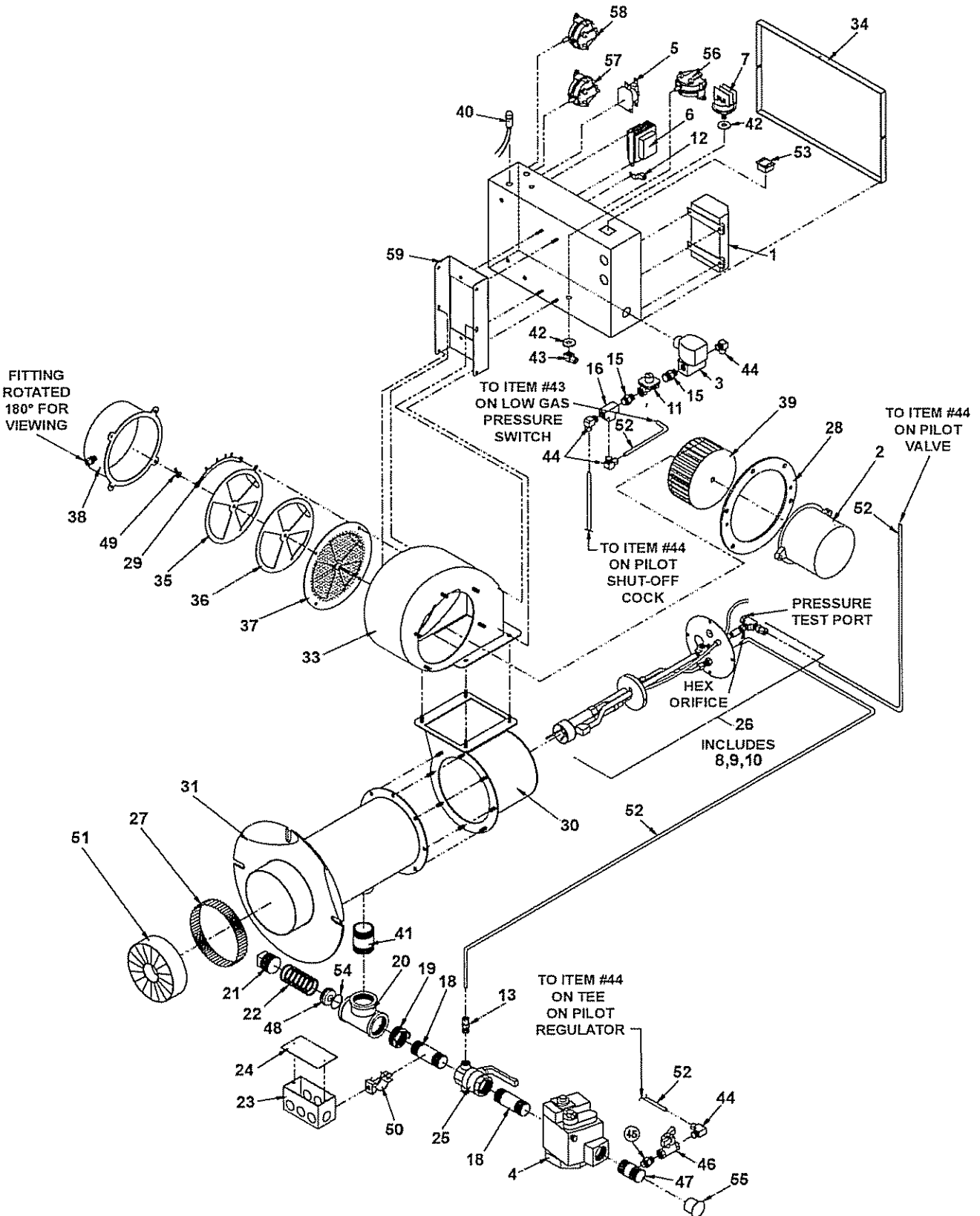


## PART LIST FOR BURNER (see drawing on page 36)

Item	Description	GPG-540A	GPG-650A	GPG-740A
1	Ignition Control	6207	6207	6207
2	Motor - 1/4 HP 3450 RPM	6207-1	6207-1	6207-1
3	Valve 24/60	6207-2	6207-2	6207-2
4	Gas Valve	6207-4	6207-4	6207-4
5	Air Switch	6207-5	6207-5	6207-5
6	Transformer 120/24	6207-6	6207-6	6207-6
7	Low Gas Pressure Switch	6207-8	6207-8	6207-8
8	Flame Rod	6207-9	6207-9	6207-9
9	Igniter	6207-10	6207-10	6207-10
10	Thermostat	6207-11	6207-11	6207-11
11	Regulator 3/8"	6207-12	6207-12	6207-12
12	Grounding Lug	6207-13	6207-13	6207-13
13	Std Hardware - Purchase Locally	-----	-----	-----
14	Tubing - 3/8 X 1/4	6207-14	6207-14	6207-14
15	Brass Reducer 3/8 X 1/4	6207-15	6207-15	6207-15
16	Brass Tee - 1/4"	6207-47	6207-47	6207-47
17	Brass Tube 1/4 X 1/8	6207-17	6207-17	6207-17
18	Std Hardware - Purchase Locally (2)	-----	-----	-----
19	Std Hardware - Purchase Locally	-----	-----	-----
20	Std Hardware - Purchase Locally	-----	-----	-----
21	Pipe Plug 1 1/4" Drilled & Tapped	6207-18	6207-18	6207-18
22	Orifice Spring	6207-19	6207-19	6207-19
23	Junction Box	6207-20	6207-20	6207-20
24	Junction Box Cover	6207-21	6207-21	6207-21
25	Ball Valve - 1"	6207-22	6207-22	6207-22
26	Pilot Ass'y (Includes Items 8, 9 & 10)	6207-23	6207-23	6207-23
27	Air Staging Band	6207-24	6207-24	6207-24
28	Frame Motor Plate	6207-25	6207-25	6207-25
29	Damper Stop	6207-26	6207-26	6207-26
30	90 Degree Adapter Ass'y	6207-27	6207-27	6207-27
31	Housing Ass'y	6207-28	6207-28	6207-28
32	Back Mount Panel Ass'y	6207-29	6207-29	6207-29
33	Premix Air Housing Wheel	6207-30	6207-30	6207-30
34	Panel Box Door	6207-31	6207-31	6207-31
35	Pie Damper Inner Plate	6207-32	6207-32	6207-32
36	Pie Damper Middle Plate	6207-33	6207-33	6207-33
37	Outer Pie Damper	6207-34	6207-34	6207-34
38	Wheel	6207-36	6207-36	6207-36
39	Amber Light	6207-37	6207-37	6207-37
40	Std Hardware - Purchase Locally	-----	-----	-----
41	Flat Washers, 3/8"	6207-49	6207-49	6207-49
42	Tubing to FP 90° 70-42, 1/4" X 1/8"	6207-50	6207-50	6207-50
43	EI Fitting 1/4 X 1/8	6207-40	6207-40	6207-40
44	Hex Nipple, 1/4"	6207-51	6207-51	6207-51
45	Ball Valve, Model 740, 1/4"	6207-52	6207-52	6207-52
46	Std Hardware - Purchase Locally	-----	-----	-----
47	Orifice - Aluminum 1 1/4"	6207-42	6207-42	6207-42
48	Std Hardware - Purchase Locally	-----	-----	-----
49	Conduit Clamp	6207-43	6207-43	6207-43
50	Premix Diffuser Ass'y	6207-53	6207-53	6207-53
51	Pilot Tubing (3)	6207-54	6207-54	6207-54
52	Rocker Switch	6207-46	6207-46	6207-46
53	O Ring Seal	6207-55	6207-55	6207-55
54	Plastic Cap, SC-1 1" Pipe	6207-56	6207-56	6207-56

# GPV BURNER ASSEMBLY

(Part numbers are listed on page 39)



**PART LIST FOR BURNER (see drawing on page 38)**

Item	Description	GPV-540A	GPV-650A	GPV-740A
1	Ignition Control	6207	6207	6207
2	Motor - 1/4 HP 3450 RPM	6207-1	6207-1	6207-1
3	Valve 24/60	6207-2	6207-2	6207-2
4	Gas Valve	6207-4	6207-4	6207-4
5	Thermodisk Relay	12S10	12S10	12S10
6	Transformer 120/24	6207-6	6207-6	6207-6
7	Low Gas Pressure Switch	6207-8	6207-8	6207-8
8	Flame Rod	6207-9	6207-9	6207-9
9	Igniter	6207-10	6207-10	6207-10
10	Thermostat	6207-11	6207-11	6207-11
11	Regulator 3/8"	6207-12	6207-12	6207-12
12	Grounding Lug	6207-13	6207-13	6207-13
13	Std Hardware - Purchase Locally	-----	-----	-----
14	Tubing - 3/8 X 1/4	6207-14	6207-14	6207-14
15	Brass Reducer 3/8 X 1/4	6207-15	6207-15	6207-15
16	Brass Tee - 1/4"	6207-47	6207-47	6207-47
17	Brass Tube 1/4 X 1/8	6207-17	6207-17	6207-17
18	Std Hardware - Purchase Locally (2)	-----	-----	-----
19	Std Hardware - Purchase Locally	-----	-----	-----
20	Std Hardware - Purchase Locally	-----	-----	-----
21	Pipe Plug 1 1/4" Drilled & Tapped	6207-18	6207-18	6207-18
22	Orifice Spring	6207-19	6207-19	6207-19
23	Junction Box	6207-20	6207-20	6207-20
24	Junction Box Cover	6207-21	6207-21	6207-21
25	Ball Valve - 1"	6207-22	6207-22	6207-22
26	Pilot Ass'y (Includes Items 8, 9 & 10)	6207-23	6207-23	6207-23
27	Air Staging Band	6207-24	6207-24	6207-24
28	Frame Motor Plate	6207-25	6207-25	6207-25
29	Damper Stop	6207-26	6207-26	6207-26
30	90 Degree Adapter Ass'y	6207-27	6207-27	6207-27
31	Housing Ass'y	6207-28	6207-28	6207-28
32	Back Mount Panel Ass'y	6207-29	6207-29	6207-29
33	Premix Air Housing Wheel	6207-30	6207-30	6207-30
34	Panel Box Door	6207-31	6207-31	6207-31
35	Pie Damper Inner Plate	6207-32	6207-32	6207-32
36	Pie Damper Middle Plate	6207-33	6207-33	6207-33
37	Outer Pie Damper	6207-34	6207-34	6207-34
38	Air Intake Kit	6207-48	6207-48	6207-48
39	Wheel	6207-36	6207-36	6207-36
40	Amber Light	6207-37	6207-37	6207-37
41	Std Hardware - Purchase Locally	-----	-----	-----
42	Flat Washers, 3/8"	6207-49	6207-49	6207-49
43	Tubing to FP 90° 70-42, 1/4" X 1/8"	6207-50	6207-50	6207-50
44	El Fitting 1/4 X 1/8	6207-40	6207-40	6207-40
45	Hex Nipple, 1/4"	6207-51	6207-51	6207-51
46	Ball Valve, Model 740, 1/4"	6207-52	6207-52	6207-52
47	Std Hardware - Purchase Locally	-----	-----	-----
48	Orifice - Aluminum 1 1/4"	6207-42	6207-42	6207-42
49	Std Hardware - Purchase Locally	-----	-----	-----
50	Conduit Clamp	6207-43	6207-43	6207-43
51	Premix Diffuser Ass'y	6207-53	6207-53	6207-53
52	Pilot Tubing (3)	6207-54	6207-54	6207-54
53	Rocker Switch	6207-46	6207-46	6207-46
54	O Ring Seal	6207-55	6207-55	6207-55
55	Plastic Cap, SC-1 1" Pipe	6207-56	6207-56	6207-56
56	IS2 Air Switch, +0 3" (Blocked Flue)	171040	171040	171040
57	IS2 Air Switch, +0 9" (Blower Proof)	171080	171080	171080
58	IS2 Air Switch, -0 3" (Air Intake)	171070	171070	171070
59	NPM Panel Bracket	K10304	K10304	K10304

**STATE WATER HEATERS**

500 Lindahl Parkway, Ashland City, TN 37015  
 Phone: 1-800-821-2017 • Fax: 1-800-6449306  
 website: [www.statewaterheaters.com](http://www.statewaterheaters.com)